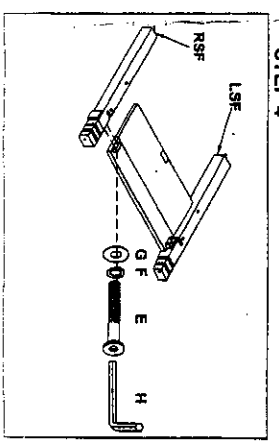
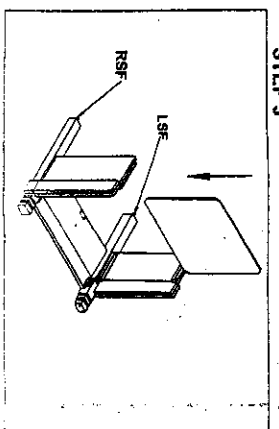
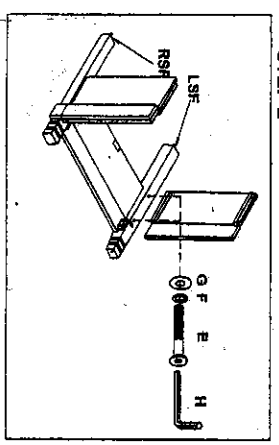
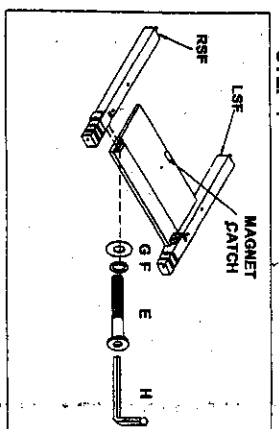


Please read instructions carefully. Remove all wrapping material, staples and packing strips from the carton. See Hardware and Furniture Parts List for guidance. Be sure you have all parts before you start assembling. Place all wooden furniture parts on a clean and flat soft surface, such as carpet or rug to prevent from being scratched.

CAUTIONS : (1) DO NOT FULLY-TIGHTEN THE NUTS OR SCREWS INITIALLY UNTIL ALL THE NUTS OR SCREWS ARE ALREADY ASSEMBLED. (TO AVOID CAUSING DAMAGES TO THE THREAD, DO NOT OVER-TIGHTEN THE NUTS OR SCREWS.)
(2) KEEP ALL HARDWARE PARTS OUT OF REACH OF CHILDREN.

PARTS LIST

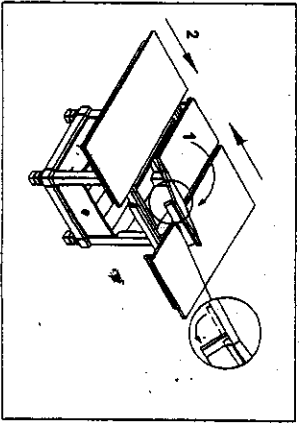
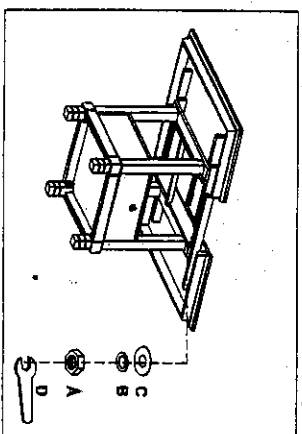
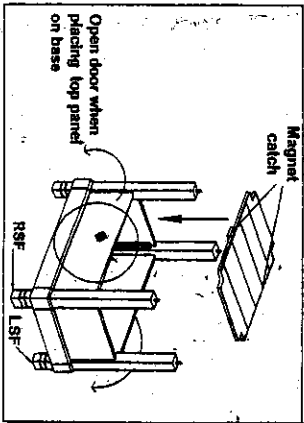
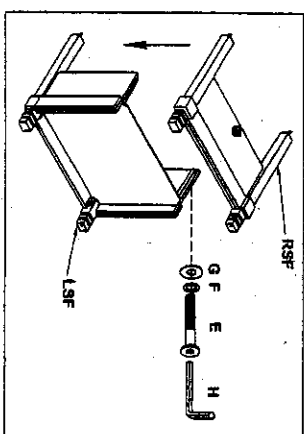
NO	DESCRIPTION	QTY
A	HEXAGON NUT	4
B	LOCK WASHER (BIG)	4
C	FLAT WASHER (BIG)	4
D	WRENCH	1
E	BOLT	16
F	LOCK WASHER (SMALL)	16
G	FLAT WASHER (SMALL)	16
H	ALLEN KEY	1



SKETCH FOR EXAMPLE ONLY
NOTE: TO ENSURE CHAIR DURABLE AND LONG LASTING, PLEASE CHECK ENTIRE CHAIR PART WHETHER IT'S IN SAFE AND ORDINARY CONDITIONS.

Please read instructions carefully. Remove all wrapping material, staples and packing strips from the carton. See Hardware and Furniture Parts List for guidance. Be sure you have all parts before you start assembling. Place all wooden furniture parts on a clean and flat soft surface, such as carpet or rug to prevent from being scratched.

CAUTIONS : (1) DO NOT FULLY-TIGHTEN THE NUTS OR SCREWS INITIALLY UNTIL ALL THE NUTS OR SCREWS ARE ALREADY ASSEMBLED. (TO AVOID CAUSING DAMAGES TO THE THREAD, DO NOT OVER-TIGHTEN THE NUTS OR SCREWS.)
(2) KEEP ALL HARDWARE PARTS OUT OF REACH OF CHILDREN.



SKETCH FOR EXAMPLE ONLY
NOTE: TO ENSURE CHAIR DURABLE AND LONG LASTING, PLEASE CHECK ENTIRE CHAIR PART WHETHER IT'S IN SAFE AND ORDINARY CONDITIONS.