






Please read instructions carefully. Remove all wrapping material, staples and packing straps from the carton. See Hardware and Furniture Parts List for guidance. Be sure you have all parts before you start assembling. Place all wooden furniture parts on a clean and flat soft surface, such as carpet or rug to prevent from being scratched.

- CAUTIONS :** (1) **DO NOT FULLY-TIGHTEN THE NUTS OR SCREWS INITIALLY UNTIL ALL THE NUTS OR SCREWS ARE ALREADY ASSEMBLED. (TO AVOID CAUSING DAMAGES TO THE THREAD, DO NOT OVER-TIGHTEN THE NUTS OR SCREWS.)**
- (2) **KEEP ALL HARDWARE PARTS OUT OF REACH OF CHILDREN.**

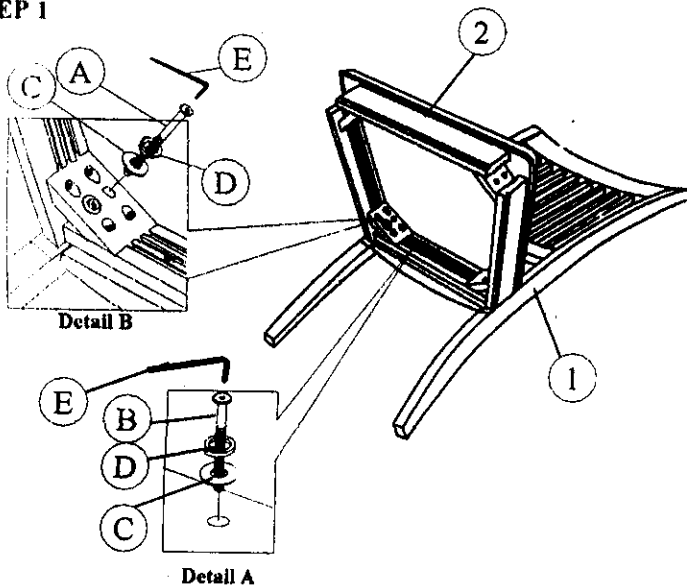
PARTS LIST FOR 1 CHAIR

| NO | DESCRIPTIONS | QTY |
|----|-------------------|-----|
| 1 | CHAIR BACK FRAME | 1 |
| 2 | SEAT FRAME | 1 |
| 3 | FRONT LEG (L & R) | 2 |

HARDWARE LIST FOR 1 CHAIR

| | | | | |
|---|--|---|--|--|
| A. LONG JCBC SCREW  4 PCS | B. SHORT JCBC SCREW  6 PCS | C. FLAT WASHER  10 PCS | D. SPRING WASHER  10 PCS | E. ALLEN KEY  1 PC |
|---|--|---|--|--|

STEP 1



1st. Step

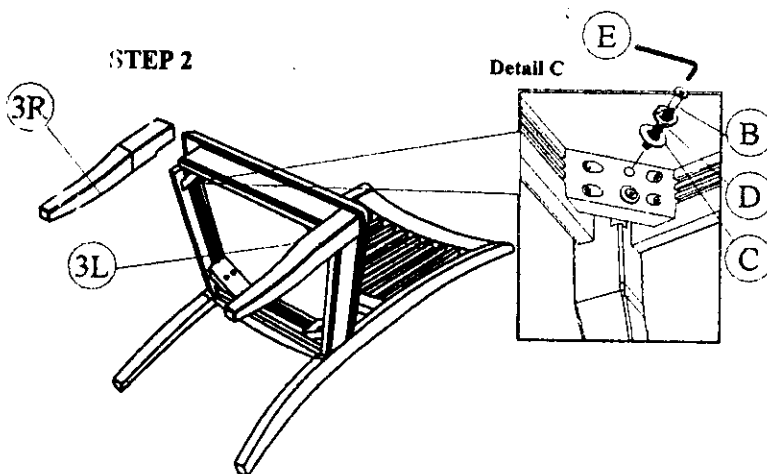
Lay the Chair back frame (1) down in a soft surface then assembled the Seat frame (2) to the frame (1).

By using Short JCBC Screw (3), Spring washer (D) & Flat washer (C) on the 2 holes. Screw loosely by Allen key (E). (See Detail A)

Then use Long JCBC screw (A) together with Spring washer (D) & Flat washer (C) on Left & Right. (See Detail B)

* It is advise do not tighten the bolts in (A) and (B). Just loosely fit.

STEP 2



2nd. Step

Place the Front Legs (3) into Seat frame (2). Attach Short JCBC screw (B) together with Spring washer (D) & Flat washer (C) by using Allen key (E). (See Detail C)

Then tighten all connections securely.