





Please read instructions carefully. Remove all wrapping material, staples and packing straps from the carton. See Hardware and Furniture Parts List for guidance. Be sure you have all parts before you start assembling. Place all wooden furniture parts on a clean and flat soft surface, such as carpet or rug to prevent from being scratched.

PARTS LIST

NO	DESCRIPTIONS	QTY
1	TABLE TOP	1
2	TABLE LEG	4

HARDWARE LIST

A. HEX NUT	B. FLAT WASHER	C. SPRING WASHER	D. SPANNER
			
8 PCS	8 PCS	8 PCS	1 PC

CAUTIONS:

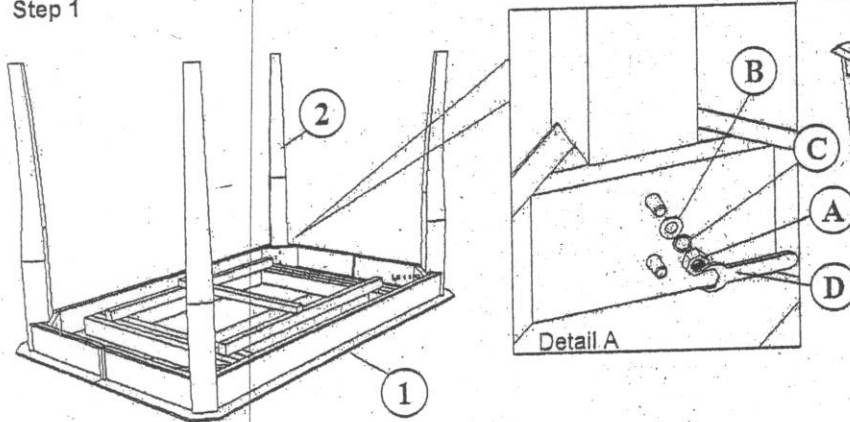
(1) **DO NOT FULLY-TIGHTEN THE NUTS OR SCREWS INITIALLY UNTIL ALL THE NUTS OR SCREWS ARE ALREADY ASSEMBLED. (TO AVOID CAUSING DAMAGES TO THE THREAD, DO NOT OVER-TIGHTEN THE NUTS OR SCREWS.)**

(2) **KEEP ALL HARDWARE PARTS OUT OF REACH OF CHILDREN.**

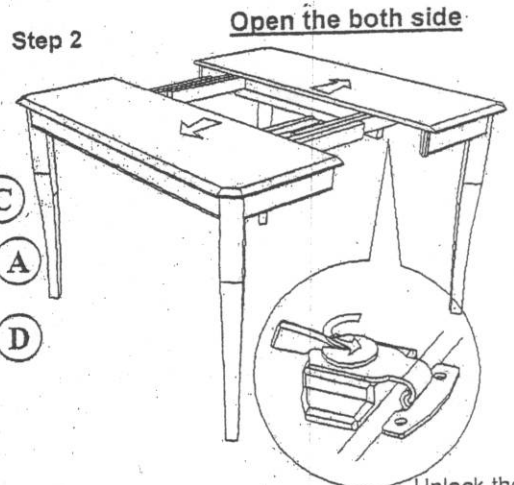
Assembly Instructions

- Turn the underside of the Table Top (1) over and place it on carpeting or carton for protection. Fix the Table Leg (B) to the corner of the apron with Flat Washers (B), Spring Washers (C) and Hex Nuts (A) using the Spanner (D) provided to tighten. (Please See Detail A). Repeat the same assembling procedure for the other three legs.
- Turn the assembled table over carefully. To fully extend the table, open both ends as far as possible.
- Carefully install the leaf top.
- Close the both ends and lock it.

Step 1

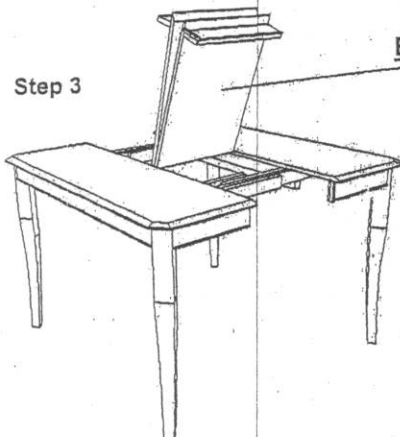


Step 2

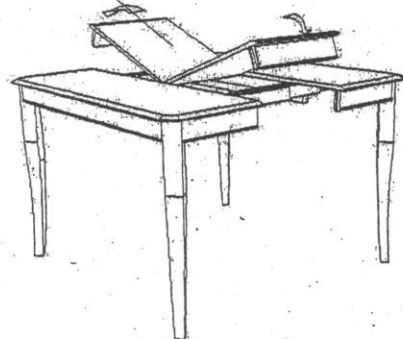


Unlock the catch lock

Step 3



Step 4



Relock the catch lock