










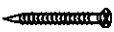


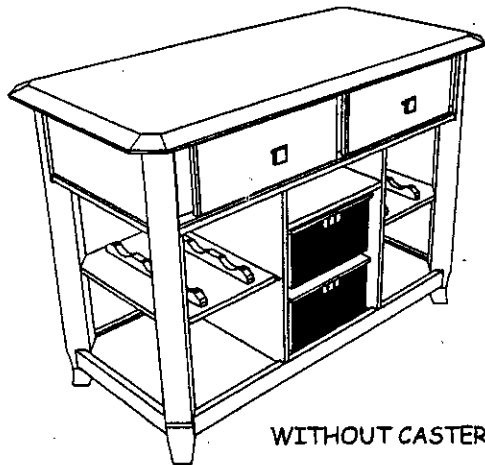
Please read instructions carefully. Remove all wrapping material, staples and packing straps from the carton. See Hardware and Furniture Parts List for guidance. Be sure you have all parts before you start assembling. Place all wooden furniture parts on a clean and flat soft surface, such as carpet or rug to prevent from being scratched.

PARTS LIST		
NO	DESCRIPTIONS	QTY
A	TOP ASSEMBLY	1 PC
B	CENTER PANEL - L	1 PC
C	CENTER PANEL - R	1 PC
D	CENTER SHELF PANEL	1 PC
E	BACK PANEL	1 PC
F	BACK SHELF PANEL	1 PC
G	BOTTOM FRAME	1 PC
H	LEFT LEG	2 PCS
I	RIGHT LEG	2 PCS
J	WINE SHELF	2 PCS
K	BASKET	2 PCS

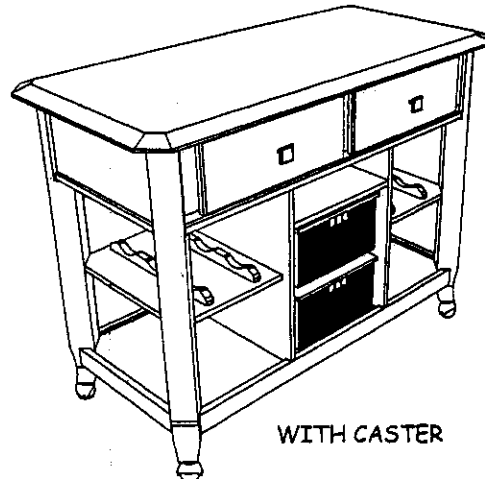
HARDWARE LIST					
NO	DESCRIPTIONS	QTY	NO	DESCRIPTIONS	QTY
1	LONG JCBC SCREW 	8 PCS	7	M4 ALLEN KEY 	1 PC
2	SHORT JCBC SCREW 	4 PCS	8	CASTER 	4 PCS
3	FLAT WASHER 	12 PCS	9	HEX WRENCH 	1 PC
4	SPRING WASHER 	12 PCS	10	MEDIUM JCBC SCREW 	4 PC
5	SHELF SUPORT WITH CAP 	8 PCS	11	HANDLE 	2 PCS
6	METAL BAR 	2 PCS	12	SCREW 	2 PCS

**CAUTION :**

- (1) DO NOT FULLY-TIGHTEN THE NUTS OR SCREW INITIALLY UNTIL ALL THE NUTS OR SCREWS ARE ALREADY ASSEMBLED. (TO AVOID CAUSING DAMAGES TO THE THREAD, DO NOT OVER TIGHTEN THE NUTS OR SCREW.
- (2) KEEP ALL HARDWARE PARTS OUT OF REACH OF CHILDREN



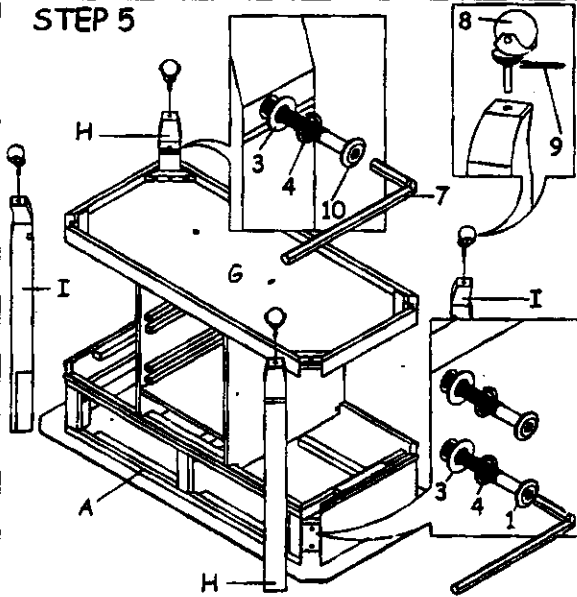
WITHOUT CASTER



WITH CASTER

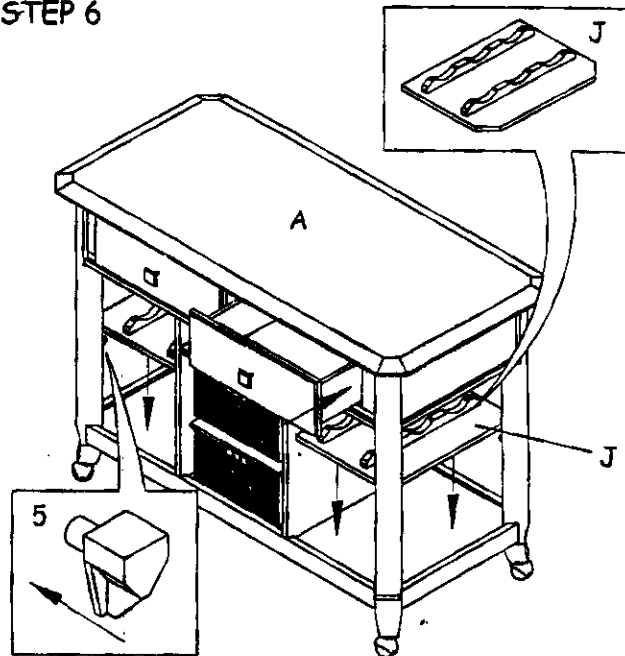
PERSPECTIVE VIEW

## STEP 5



Install all Legs (H & I) with the corner block of the Top Assembly (A) and Bottom Frame (G), using eight Flat Washer (3), eight Spring Washer (4) and eight JCBC Screws (1) secure Legs (H & I) to Top Assembly (A); using four Flat Washers (3), four Spring Washers (4) and four JCBC Screws (10) secure Legs (H & I) to Bottom Frame (G). Fully tighten all Screw (I) using by Allen Key (7). Next, install all Castor (8) by using Hex Wrench (9) on to end of Legs (H & I). Note: The consumer can either use castor (9) or leave for this kitchen Island

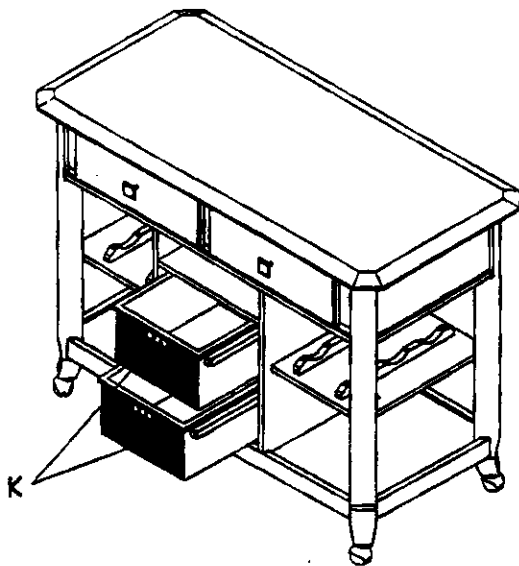
## STEP 6



Carefully turn the assembled kitchen island upright, sliding all the drawers to Top Assembly (A), attach eight Shelf Support with Cap (5) into both Side Panel & Legs, then slot in two Wine Shelf (J) into kitchen island.

Note: Shelf either can used as wine bottle rack or it can be place upside down, wich can be used as a plain shelving.

## STEP 7



Finally, slot in two Basket (K) to Kitchen Island.

