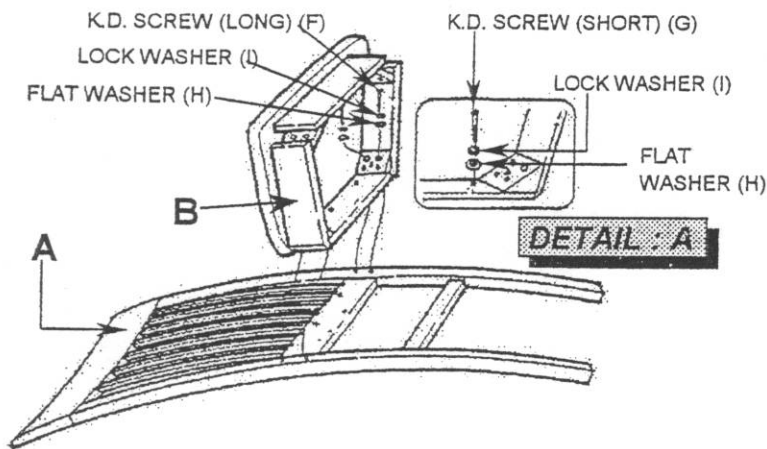
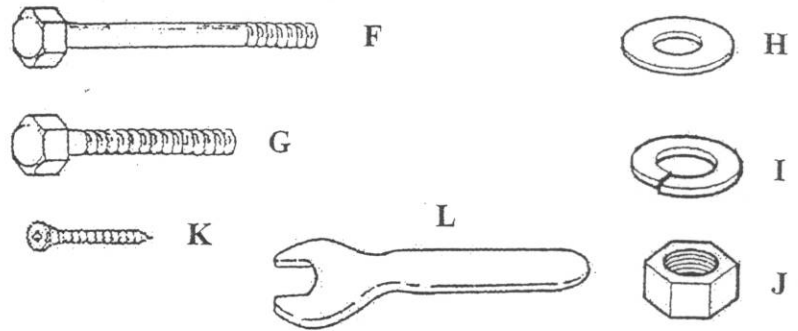


LIGO PRODUCTS ASSEMBLY INSTRUCTIONS

Mokena - Illinois RCH-245

LIST OF PARTS

NO.	Q'TY	DESCRIPTION
A	1 PC.	STOOL BACK
B	1 PC.	SEAT
C	2 PCS.	FRONT LEGS (L&R)
D	2 PCS.	SIDE STRETCHERS (L&R)
E	1 PC.	FRONT STRETCHER
F	4 PCS.	KD. SCREWS (LONG)
G	2 PCS.	KD. SCREWS (SHORT)
H	10 PCS.	FLAT WASHERS
I	10 PCS.	LOCK WASHERS
J	4 PCS.	NUTS
K	6 PCS.	WOOD SCREWS
L	1 PC.	KEY WRENCH



STEP : 1

- REMOVE ALL STOOL PARTS FROM THE CARTON.
- CUT THE CARTON CORNERS AND OPEN THE CARTON, SO THAT IT CAN BE USE AS A WORK SURFACE FOR ASSEMBLY.
- PLACE THE SEAT FRAME (B) ON THE STOOLBACK (A) AND INSERT A FLAT WASHER (H), LOCK WASHER (I) AND A SHORT K.D. SCREW (G) INTO EACH OF THE 3 HOLES ON THE BACK OF THE SEAT (SEE DETAIL : A) TIGHTEN THE SCREW WITH THE KEY WRENCH (L) BY TURNING CLOCKWISE UNTIL SECURE. (SEE DETAIL : A)
- INSERT THE FLAT WASHER (H), LOCK WASHER (I) AND LONG K.D. SCREW (F) INTO EACH OF THE 2 HOLES IN THE SEAT CORNERS, TIGHTEN THE SCREWS WITH THE KEY WRENCH (L) BY TURNING CLOCKWISE UNTIL SECURE. (SEE DETAIL : B)

PLACE STOOL UPRIGHT ON FLOOR
*** NOTE ***
 DO NOT TIGHTEN ALL THE SCREWS UNTIL THE STOOL HAS BEEN PUT ON A FLAT SURFACE TO ADJUST & LEVEL ALL THE LEGS. ONCE ADJUSTED THEN TIGHTEN ALL THE SCREWS.

STEP : 2

- TURN THE STOOL OVER ON TABLE TOP OR COUNTER.
- ATTACH RIGHT AND LEFT FRONT LEG (C) TO THE FRONT OF THE SEAT FRAME.
- PLACE FLAT WASHER (H) , LOCK WASHER (I) AND NUT (J) ON EACH BOLT.
- TURN THE NUT ON EACH BOLT SEVERAL TURNS WITH KEY WRENCH (L) BUT DO NOT TIGHTEN. (SEE DETAIL :B)
- INSERT 2 SIDE STRETCHERS (D) AND FRONT STRETCHER (E) INTO THE HOLES BETWEEN FRONT AND BACK LEG AND FASTEN WITH WOOD SCREWS (K) ON EACH USING PHILIPS HEAD SCREWDRIVER (NOT PROVIDED).
- TIGHTEN ALL BOLTS BEFORE USING CHAIR.

