

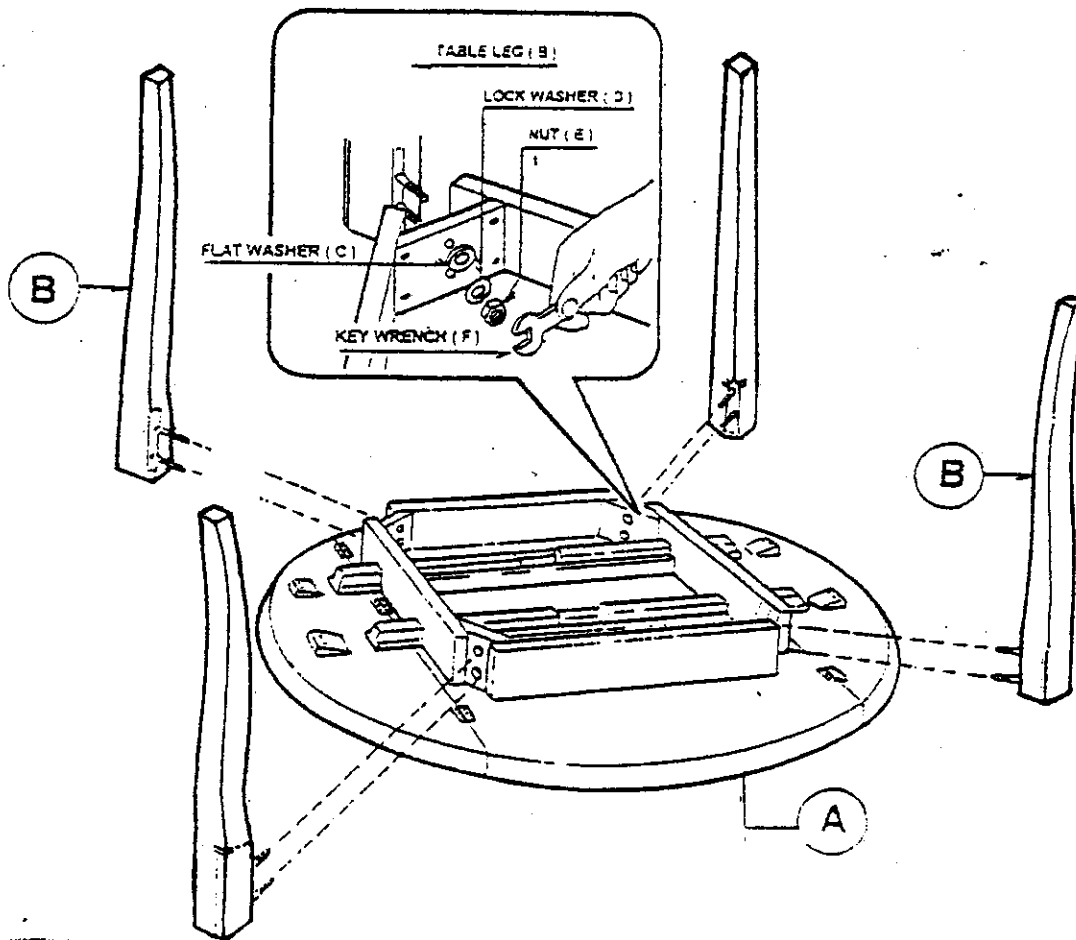
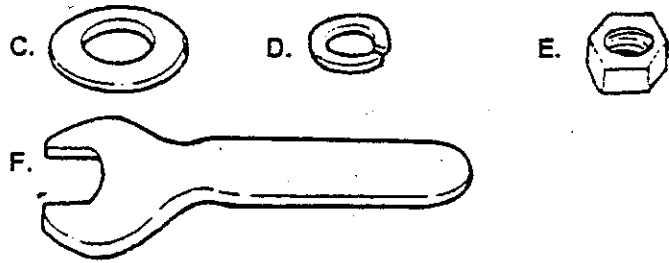
LIGO PRODUCTS

Mokena - Illinois

ASSEMBLY INSTRUCTION

PARTS & HARDWARE

No.	Qty	Description
A	1	Table Top
B	4	Table Legs
C	8	Flat Washers
D	8	Lock Washers
E	8	Nuts
F	1	Key Wrench



STEP 1 :

LET THE TOP (A) REST IN THE CARTON OR A SMOOTH SURFACE, UP-SIDE-DOWN AS SHOWN

STEP 2 :

INSERT ONE LEG (B) INTO EACH CORNER, SECURE THE LEG USING WASHERS AND NUT AS SKETCH. TIGHTEN NUT WITH WRENCH (F) PROVIDED.