

# LIGO PRODUCTS

Mokena - Illinois

# ASSEMBLY INSTRUCTIONS

**RDT-282**

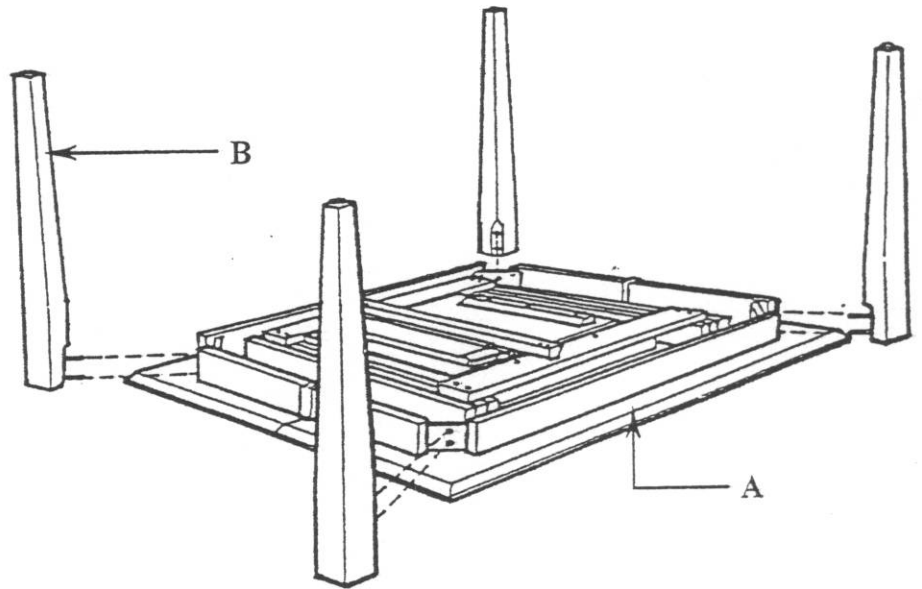
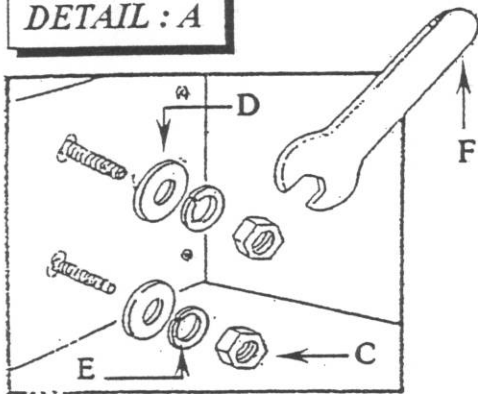
54" SQUARE BUTTERFLY LEAF TABLE  
36" COUNTER HEIGHT

## LIST OF PARTS

NO.	Q'TY	DESCRIPTION
A	1 PC.	TABLE TOP
B	4 PCS.	LEGS
C	8 PCS.	NUTS
D	8 PCS.	FLAT WASHERS
E	8 PCS.	LOCK WASHERS
F	1 PC.	WRENCH



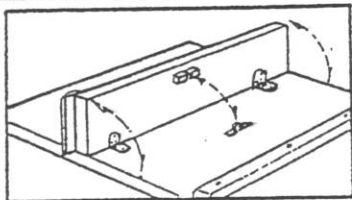
### DETAIL : A



### STEP : 1

- PLACE TABLE TOP (A) UPSIDE DOWN ON CARPETING OR CARTON FOR PROTECTION.
- ALIGN AND PLACE ALL 4 TABLE LEGS (B) INTO EACH CORNER OF TOP AS SHOWN IN ILLUSTRATION.
- PLACE 1 FLAT WASHER (D) , 1 LOCK WASHER (E) AND 1 NUT (C) ONTO THE THREADED BOLT IN LEGS.
- FULL TIGHTEN THE NUTS (C) WITH THE WRENCH (F) TURNING CLOCKWISE UNTIL SECURE ( SEE DETAIL : A)

### DETAIL : B



### STEP : 2

- TO FULLY EXTEND THE TABLE, OPEN BOTH ENDS AS FAR AS POSSIBLE.
- CAREFULLY OPEN LEAF BE SURE TO SNAP OPEN THE APRONS ON EACH SIDE OF THE LEAF BEFORE

